

# Tube pump

## H type

**APPLICATION** MEDICAL TREATMENT / PHYSICS AND CHEMISTRY / BIOTECHNOLOGY / FUEL CELL etc.

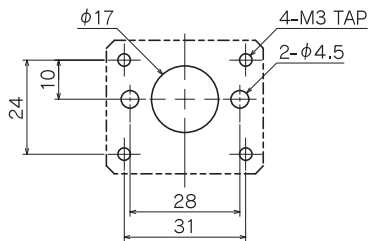


### Characteristics / Specification DC24V

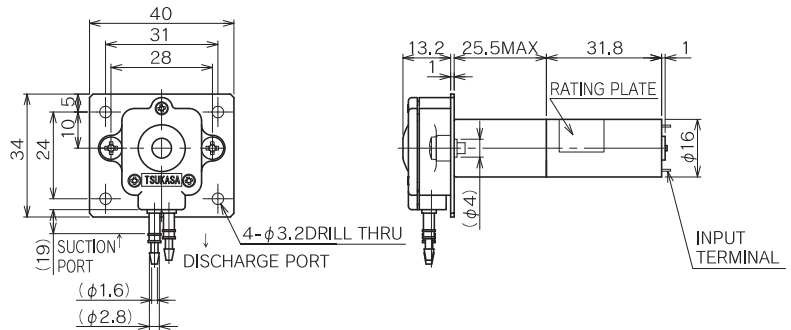
FLOW COVER RANGE	0.9 ~ 11ml/min		
FLOW PER ROTATION	0.038ml/r		
APPLICABLE TUBE	P-OLEFIN TUBE S-SILICONE TUBE		
CONNECTING TUBE	INSIDE DIAMETER: $\phi$ 2mm		
DISCHARGE PRESSURE	0.03MPa		

MODEL	FLOW (ml/min)		
	PT-HP1 (24V)	0.9	4.4
WEIGHT (g)	82	78	78

### Setting metal working plan



### Outline drawing



## C type

**APPLICATION** CLEANING EQUIPMENT / CHEMICAL LIQUID SUPPLYING EQUIPMENT etc.

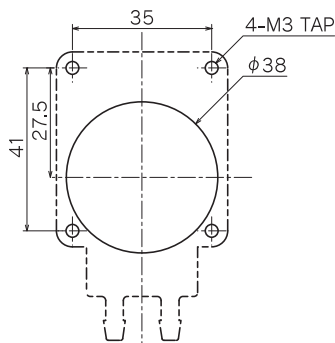


### Characteristics / Specification DC24V

FLOW COVER RANGE	10 ~ 50ml/min		
FLOW PER ROTATION	0.11ml/r		
APPLICABLE TUBE	P-PHARMED TUBE S-SILICONE TUBE		
CONNECTING TUBE	INSIDE DIAMETER: $\phi$ 4mm		
DISCHARGE PRESSURE	0.03MPa		

MODEL	FLOW (ml/min)		
	PT-CP1 (24V)	10	30
WEIGHT (g)	190	186	182

### Setting metal working plan



### Outline drawing

